



TECHNICAL GUIDE FOR INSTALLATIONS WITH ISS 1PLAY

SELF CONSUMPTION 1~ MANAGED BY EMS BOARD FOR TT SYSTEM (Ver_D)

DESIGNED BY	<i>B.R.S</i>
DATE	<i>04/01/2017</i>
REVISED BY	<i>B.R.S</i>
REVISION DATE	<i>30/09/2019</i>
APPROVED BY	<i>D.B.R</i>

"The reproduction, distribution and utilization of this document as well as the communication of its contents to others without express authorization is prohibited. Offenders will be held liable for the payment of damages. All rights reserved."
ISO 16016

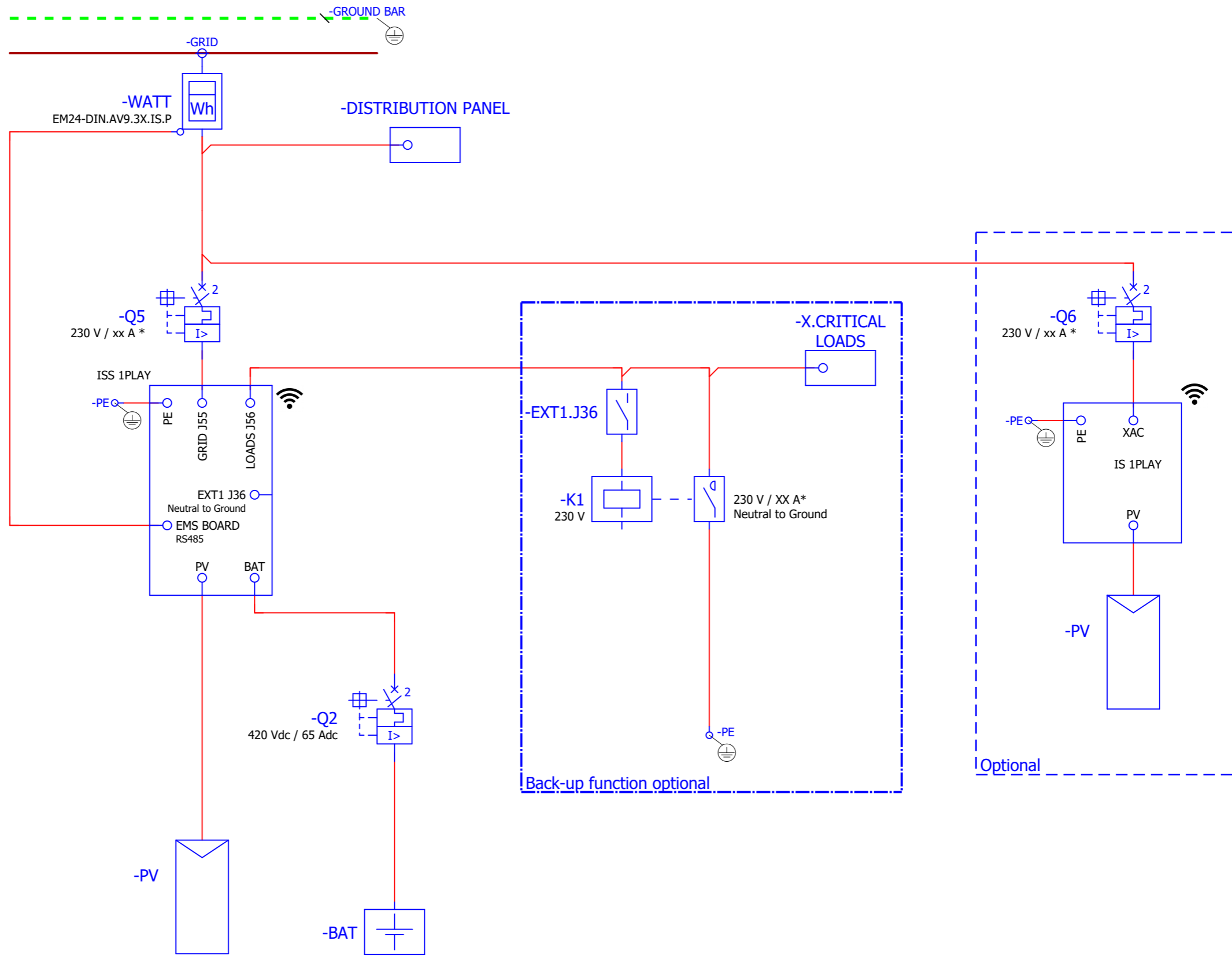
"Sin expresa autorización de Ingeteam, queda terminantemente prohibida la reproducción total o parcial de este documento, así como su uso indebido y/o exhibición o comunicación a terceros. De los infractores se exigirá el correspondiente resarcimiento de daños y perjuicios. Quedan reservados todos los derechos."
ISO 16016

_D	30/09/2019	B.R.S	B.R.S	D.B.R	Date	04/01/2017
_C	22/03/2018	I.I	I.I	D.B.R	Designed	B.R.S
_B	12/01/2018	B.R.S	B.R.S	D.B.R	Revised	B.R.S
Rev	Date	Designed	Revised	Approved	Approved	D.B.R



"The reproduction, distribution and utilization of this document as well as the communication of its contents to others without express authorization is prohibited. Offenders will be held liable for the payment of damages. All rights reserved." ISO 16016

"Sin expresa autorización de Ingeteam, queda terminantemente prohibida la reproducción total o parcial de este documento, así como su uso indebido y/o exhibición o comunicación a terceros. De los infractores se exigirá el correspondiente resarcimiento de daños y perjuicios. Quedan reservados todos los derechos." ISO 16016



* The nominal current depends on the power of the installation

=/2

20

_D	30/09/2019	B.R.S	B.R.S	D.B.R	Date	04/01/2017
_C	22/03/2018	I.I	I.I	D.B.R	Designed	B.R.S
B	12/01/2018	B.R.S	B.R.S	D.B.R	Revised	B.R.S
Rev	Date	Designed	Revised	Approved	Approved	D.B.R



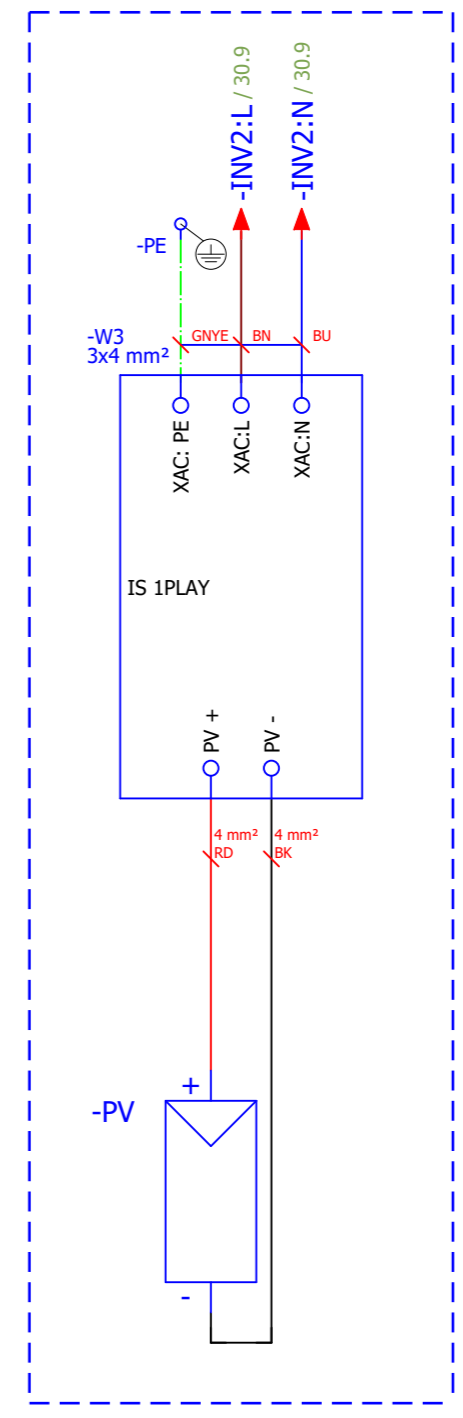
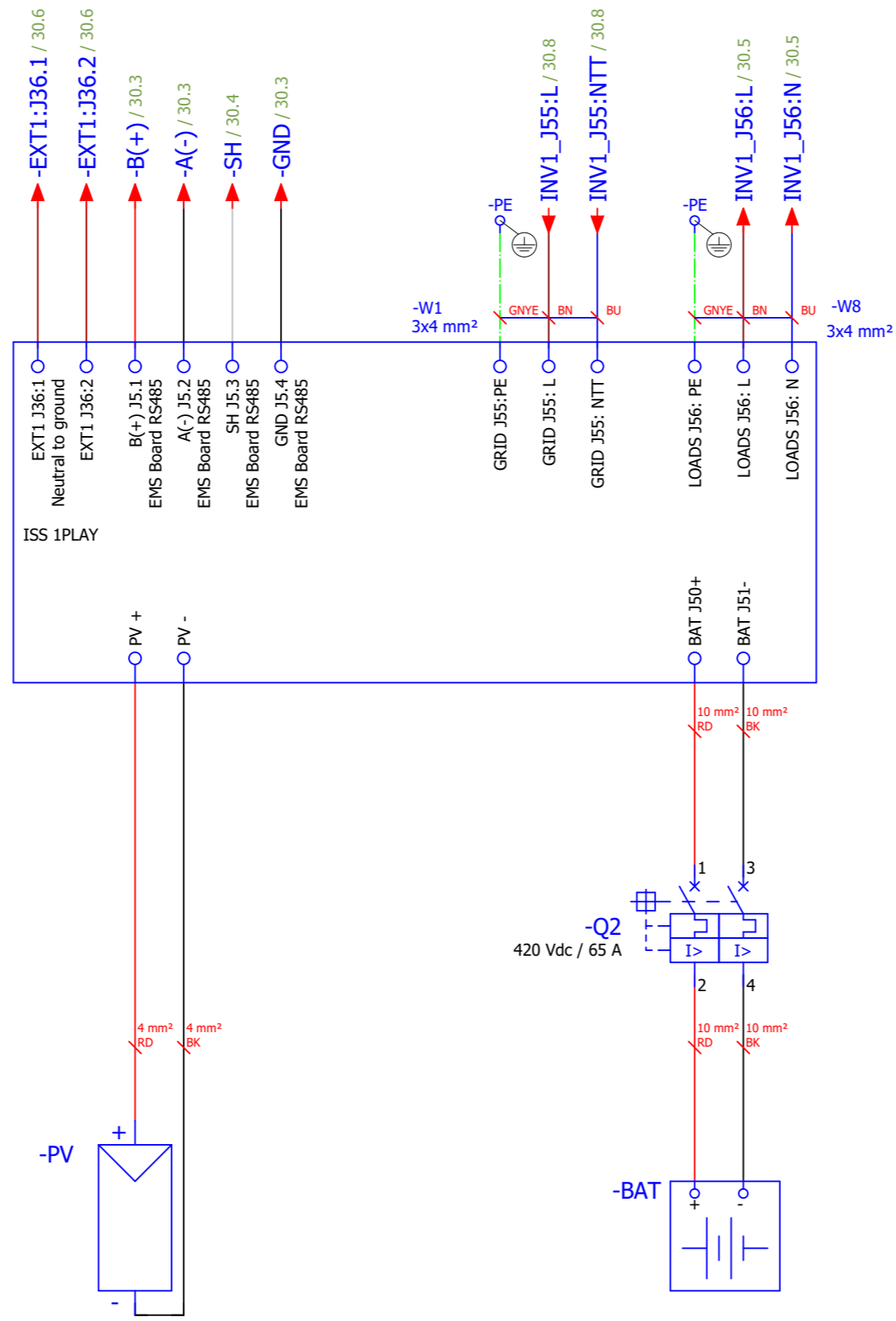
TECHNICAL GUIDE FOR INSTALLATIONS WITH ISS 1PLAY
 SELF CONSUMPTION 1~ MANAGED BY EMS BOARD FOR TT SYSTEM (Ver_D)
 SINGLE-LINE DIAGRAM

Page	10
Rev	_D

"The reproduction, distribution and utilization of this document as well as the communication of its contents to others without express authorization is prohibited. Offenders will be held liable for the payment of damages. All rights reserved." ISO 16016

"Sin expresa autorización de Ingeteam, queda terminantemente prohibida la reproducción total o parcial de este documento, así como su uso indebido y/o exhibición o comunicación a terceros. De los infractores se exigirá el correspondiente resarcimiento de daños y perjuicios. Quedan reservados todos los derechos." ISO 16016

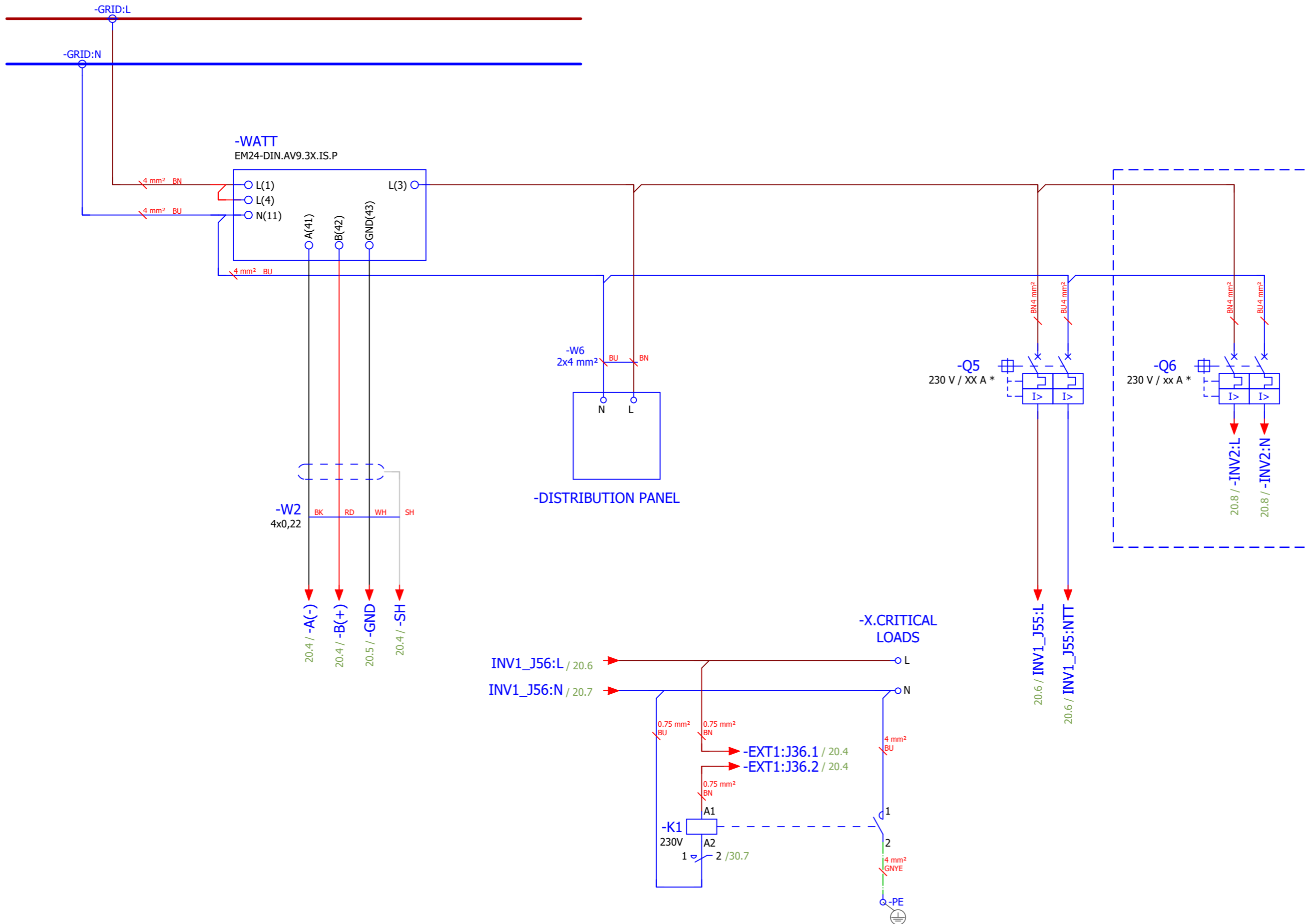
----- Optional



_D	30/09/2019	B.R.S	B.R.S	D.B.R	Date	04/01/2017
_C	22/03/2018	I.I	I.I	D.B.R	Designed	B.R.S
B	12/01/2018	B.R.S	B.R.S	D.B.R	Revised	B.R.S
Rev	Date	Designed	Revised	Approved	Approved	D.B.R

"The reproduction, distribution and utilization of this document as well as the communication of its contents to others without express authorization is prohibited. Offenders will be held liable for the payment of damages. All rights reserved." ISO 16016

"Sin expresa autorización de Ingeteam, queda terminantemente prohibida la reproducción total o parcial de este documento, así como su uso indebido y/o exhibición o comunicación a terceros. De los infractores se exigirá el correspondiente resarcimiento de daños y perjuicios. Quedan reservados todos los derechos." ISO 16016



* The nominal current depends on the power of the installation
 - - - - Optional

_D	30/09/2019	B.R.S	B.R.S	D.B.R	Date	04/01/2017
_C	22/03/2018	I.I	I.I	D.B.R	Designed	B.R.S
_B	12/01/2018	B.R.S	B.R.S	D.B.R	Revised	B.R.S
Rev	Date	Designed	Revised	Approved	Approved	D.B.R