



## TECHNICAL GUIDE FOR INSTALLATIONS WITH ISS 1PLAY

# SELF CONSUMPTION 1 ~ MANAGED BY EMS BOARD FOR TN SYSTEM (Ver\_A)

---

DESIGNED BY	<i>B.R.S</i>
DATE	<i>12/01/2018</i>
REVISED BY	<i>I.I</i>
REVISION DATE	<i>22/03/2018</i>
APPROVED BY	<i>D.B.R</i>

---

"The reproduction, distribution and utilization of this document, as well as the communication of its contents to others without express authorization is prohibited. Offenders will be held liable for the payment of damages. All rights reserved."  
ISO 16016

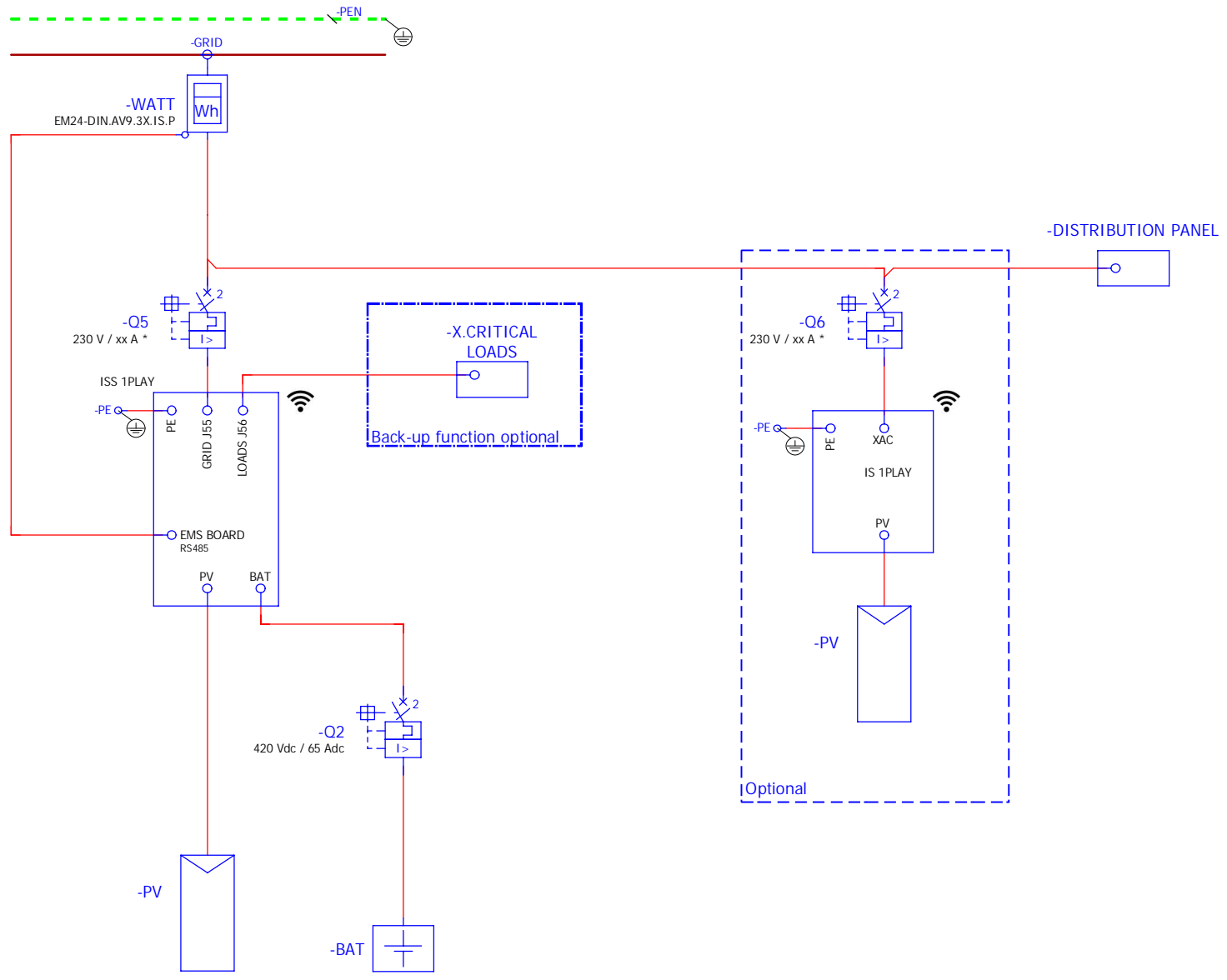
"Sin expresa autorización de Ingeteam, queda terminantemente prohibida la reproducción total o parcial de este documento, así como su uso indebido, y/o exhibición o comunicación a terceros. De los infractores se exigirá el correspondiente resarcimiento de daños y perjuicios. Quedan reservados todos los derechos."  
ISO 16016

					Date	12/01/2018
					Designed	B.R.S
A	22/03/2018	I.I	I.I	D.B.R	Revised	I.I
Rev	Date	Designed	Revised	Approved	Approved	D.B.R





\*Sin expresa autorización de Ingeteam, queda terminantemente prohibida la reproducción total o parcial de este documento, así como su uso indebido, y/o exhibición o comunicación a terceros. De los infractores se exigirá el correspondiente resarcimiento de daños y perjuicios. Quedan reservados todos los derechos. \*  
 ISO 16016



=/2 \* The nominal current depends on the power of the installation

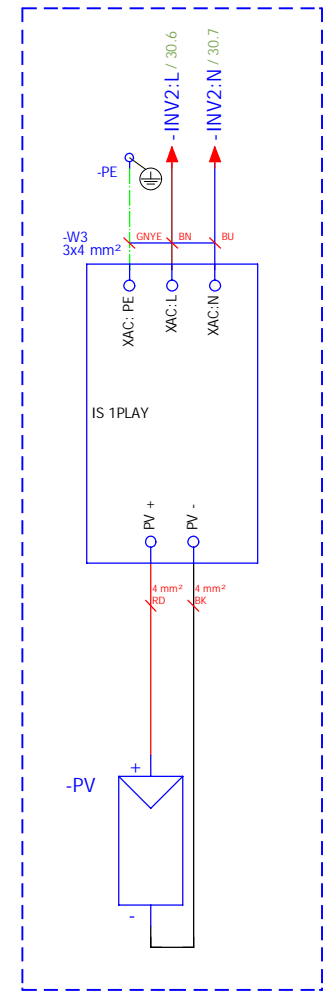
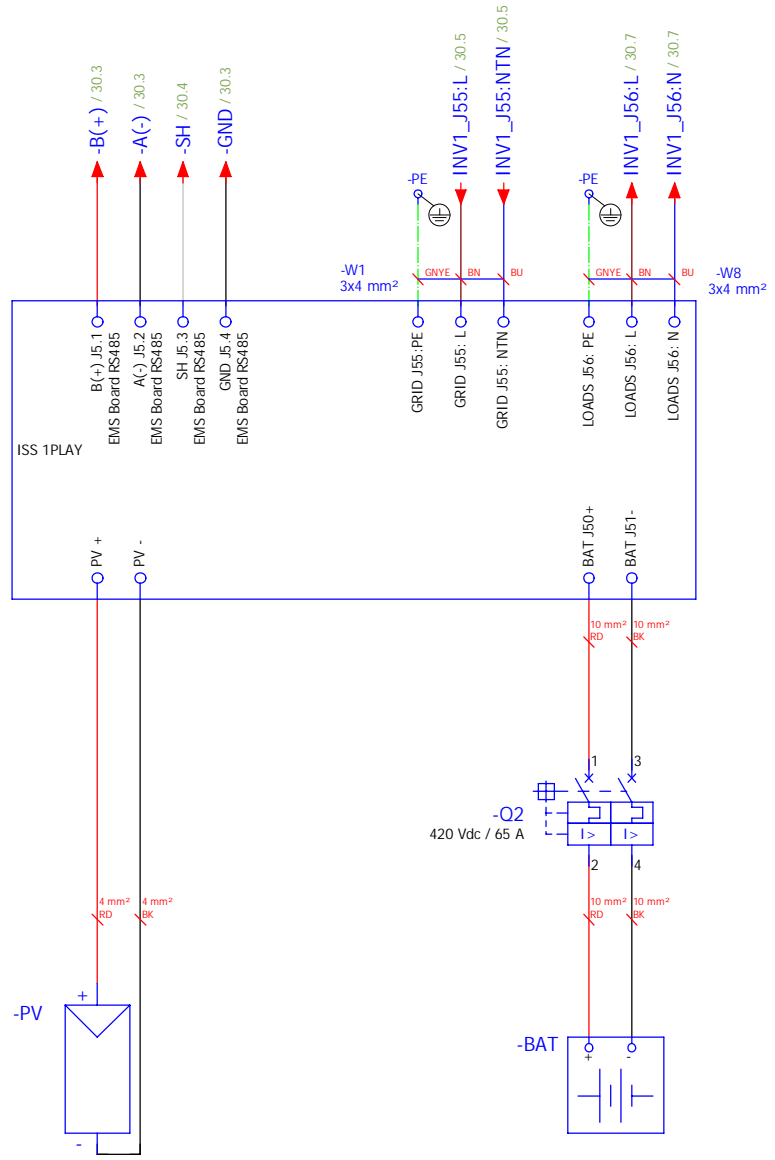
Date	12/01/2018					
Designed	B.R.S					
Revised	I.I					
Approved	D.B.R					
Rev	Date	Designed	Revised	Approved	Approved	D.B.R



TECHNICAL GUIDE FOR INSTALLATIONS WITH ISS 1PLAY  
 SELF CONSUMPTION 1 - MANAGED BY EMS BOARD FOR TN SYSTEM (Ver\_A)  
 SINGLE-LINE DIAGRAM

"The reproduction, distribution and utilization of this document, as well as the communication of its contents to others without express authorization is prohibited. Offenders will be held liable for the payment of damages. All rights reserved." ISO 16016

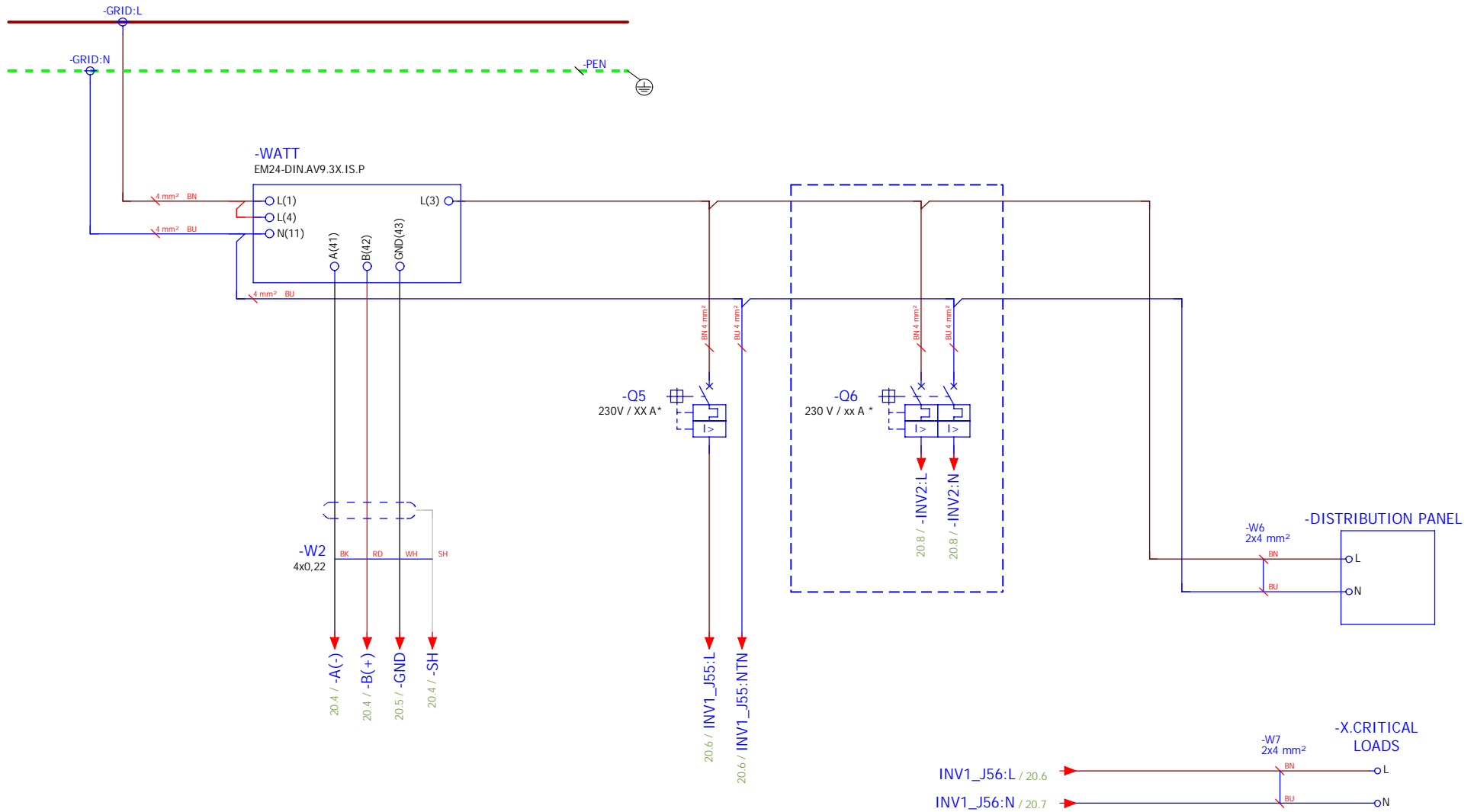
"Sin expresa autorización de Ingeteam, queda terminantemente prohibida la reproducción total o parcial de este documento, así como su uso indebido, y/o exhibición o comunicación a terceros. De los infractores se exigirá el correspondiente resarcimiento de daños y perjuicios. Quedan reservados todos los derechos." ISO 16016



----- Optional

Date	12/01/2018					
Designed	B.R.S					
Revised	I.I					
Approved	D.B.R					
Rev	Date	Designed	Revised	Approved	Approved	Date
A	22/03/2018	I.I	I.I	D.B.R	Approved	I.I
					Approved	D.B.R





\* The nominal current depends on the power of the installation

--- Optional

\*The reproduction, distribution and utilization of this document, as well as the communication of its contents to others without express authorization is prohibited. Offenders will be held liable for the payment of damages. All rights reserved. ISO 16016

\*Sin expresa autorización de Ingeteam, queda terminantemente prohibida la reproducción total o parcial de este documento, así como su uso indebido, y/o exhibición o comunicación a terceros. De los infractores se exigirá el correspondiente resarcimiento de daños y perjuicios. Quedan reservados todos los derechos. \* ISO 16016

Date	12/01/2018					
Designed	B.R.S					
Revised	I.I					
Approved	D.B.R					
Rev	Date	Designed	Revised	Approved	Approved	D.B.R